



USER MANUAL

**Single Door Tall Proofing Cabinet
for 16 Trays : PC-16 Premia**

1. TECHNICAL PARAMETERS

Model	PC-16 Premia
Vol.(V)	220-240V~/50 H z
Door	SINGLE
Power	2.6kW
Capacity	16tray
Temp.(°C)	normal~60°C
Humidity	normal~95%
Dimension	50x70x192 (cm)

2. FEATURES

1. B series proofer made by S.S 201, heating the water by electric thermal, and then produce much steam in the chamber. Humidity in chamber can reach 80%~85%, control temperature between 35°C to 40°C, which is suitable for fermenting.
2. Add dry heating tube and heating plate, keeping temperature and atomize, make best fermenting effect.
3. Hot air convection in the chamber, evenly temperature inside, precision control temperature and humidity.
4. Humanization door, easy open and close, luxury visible glass door, fermenting process under your eyes.
5. Big capacity, multi-layer, long beautiful handle give you best feeling every time you open and close it.

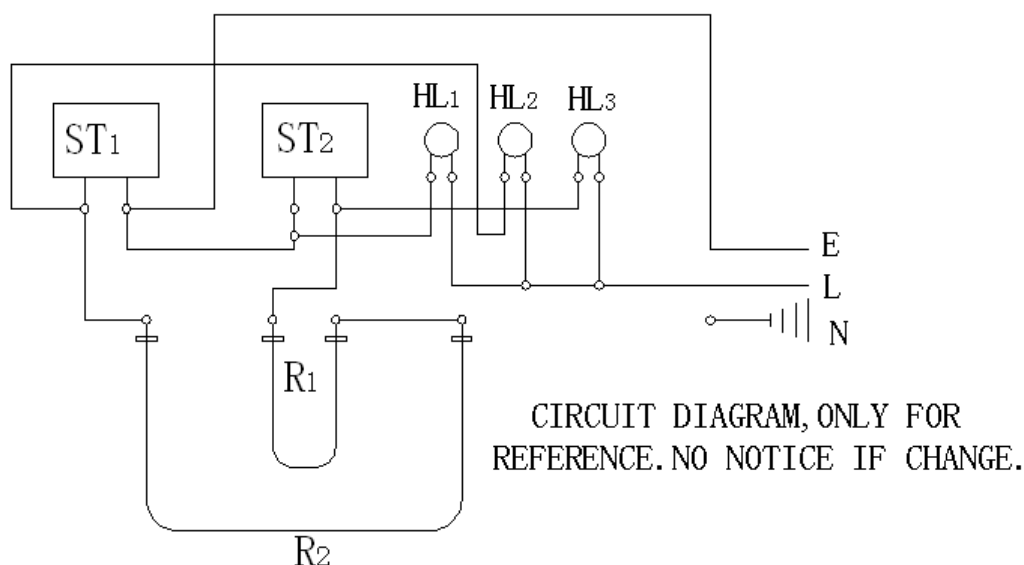
3. INSTALLATION

- (1) First, take out the foot tube and fix it, then adjust it to balance, the end fix the rack tube.
- (2) (2) Voltage: 220-240V~ 50Hz
- (3) Connect anti-leakage switch directly or with socket, in order to safety you must make sure of that insert power plug to anti-leakage socket.
- (4) (4) Set the proofer balance, reserve enough space for your operation.

4. OPERATION

- (1) Add water in water chamber before using, water over the heating tube preventing dry heating.
- (2) Connect power, (red) indicator, proofer is on standby mode.
- (3) Open the atomizer by clockwise, yellow atomizer indicator on, electric thermal tube start working. Set temperature to 100°C, adjust the temperature to 80°C after water boiled. Indicator off means proofer stop working and enter auto atomizing convection state.

5.CIRCUIT DIAGRAM



R1-- WET HEATER R2-- DRY HEATER HL1-- POWER INDICATOR
 HL2-- ATOMIZATION INDICATOR HL3-- TEMPERATURE INDICATOR
 ST1-- ATOMIZATION CONTROLLER ST2-- TEMPERATURE CONTROLLER

Notes:

- I. This appliance is not intended for use by persons (including children) with reduced physical, sensory or mental capacities, or lack of experience and knowledge, unless they have been given supervision or instruction concerning use of the appliance by a person responsible for their safety.
- II. Children should be supervised to ensure that they do not play with the appliance.
- III. This appliance is not to be cleaned with a water jet.
- IV. Any repairs shall be carried out only by persons trained or recommended by the manufacturer in order to avoid any potential problem or danger.

Marketed in India by:

TRUFROST COOLING PRIVATE LIMITED

1215, 12th Floor, Tower B, Emaar Digital Greens, Golf Course Extn. Road,
Sector 61, Gurugram – 122102

T. +91-124- 4246560 info@trufrost.com

www.trufrost.com