



ICE CRUSHER #53



Internationally patented models

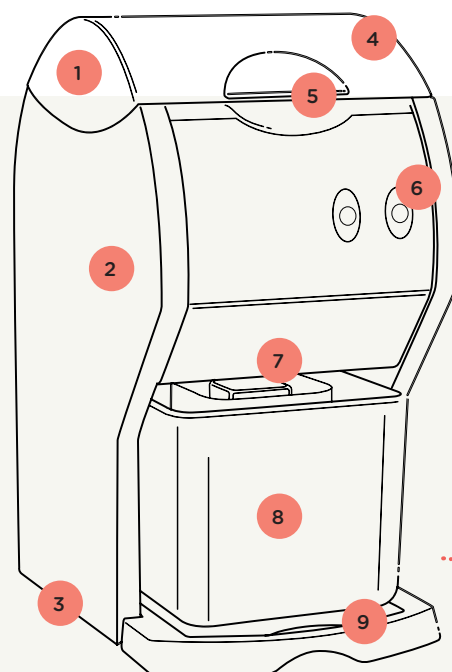


A powerful ice crusher

Perfect for making cocktails with crushed ice, such as mojitos or caipirinhas, and for preparing beds of ice for seafood.

Adapted to intensive use thanks to its silent and powerful commercial motor, it crushes 1,2kg of ice cubes in 30 seconds.

You can choose between two sizes of crushed ice: fine or coarse.



WATCH OUR PRESENTATION VIDEO

- | | |
|---|---------------------------|
| 1 Ice cube tank capacity 1,2kg | 5 Ergonomic handle |
| 2 Heavy duty and quiet asynchronous motor | 6 Front panel |
| 3 Non-slip rubber feet for high stability | 7 Lighting of crushed ice |
| 4 Top cover | 8 Standard ice bucket |
| | 9 Removable drip tray |



Powerful and efficient

Powerful and quiet asynchronous motor.
Heavy duty appliance adapted to intensive use.
Exceptional output : 150kg/h.

Two operating modes

Long touch on the button: **manual function**. It crushes the ice as long as you push the button
 Quick touch on the button: **automatic function**. It automatically crushes all the ice placed in the tank (hands-free use)

Safety, Standards, Hygiene

In accordance with the following regulations Machinery directive 2006 / 42 / EC
 Electromagnetic compatibility 2014 / 30 / EU
 "Low voltage" directive 2014 / 35 / EU

RoHS directive 2011 / 65 / EU
 Regulation 1935 / 2004 / EC (contact with food)
 Regulation 10 / 2011 / EU (Plastic in contact with food)

Harmonized European Standards EN ISO 12100 : 2010
 EN 60204-1 + A1 : 2009
 EN 60335-2-64 : 2004 Commercial electric kitchen machines
 CE Marking, ETL

Thermal Safety Motor protected by internal thermal detector

Electrical Safety Waterproof Electric Control Unit. Overload safety

All mechanical parts are ground connected
 Appliances are 100% tested after assembly

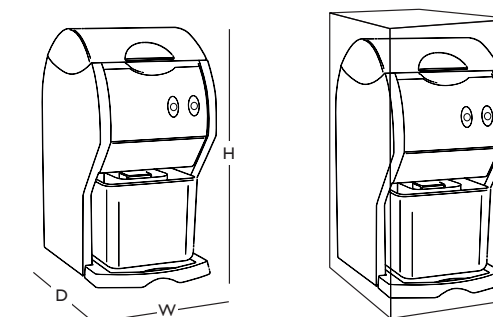
Acoustic Safety Very silent and powerful asynchronous motor

Hygiene All removable parts can be put in a dishwasher or easily cleaned with hot soapy water

Technical specifications

Motor
 Single phase:
 110-120 V - 50/60 Hz - 130 W - CE
 220-240 V - 50/60 Hz - 155 W - CE, ETL

Speed:
 73rpm (50Hz)
 89rpm (60Hz)



Appliance
 W: 236 mm (8")
 D: 353 mm (12")
 H: 474 mm (19")
 Weight:
 9.8 Kg (20 lbs)

Shipping Box
 W: 375 mm (14.7")
 D: 415 mm (16.3")
 H: 520 mm (20.5")
 Weight:
 11.3 Kg (24 lbs)

Two sizes of crushed ice

- 1 Fine crushed ice
- 2 Coarse crushed ice



PRODUCT: 2 YEAR WARRANTY | MOTOR: 5 YEARS

