



Shown with optional 6" extension tray



Principle

Middleby Marshall PS Series conveyor ovens bake both faster and at a lower temperature than other ovens. Vertical columns of hot air move heat aerodynamically instead of using high temperatures. The streams of hot air remove the boundary layers of cool heavy air which tend to insulate the product. All Middleby ovens are designed to cook a multitude of products including pizza, seafood, sandwiches, bagels, ethnic foods and more.

General Information

The PS520 conveyor oven is ideally suited for Kiosk and express-style locations where smaller ovens are required.

Standard Features

- Patented EMS Energy Management System* reduces energy consumption and increases cooking efficiency
- 20" (508mm) long cooking chamber with 18" (457.2mm) belt
- 42" (1066.8mm) long, 35" (189mm) deep, and 21-3/4" (552.4mm) high overall dimensions
- Furnished with 4" (101.6mm) legs
- Stackable up to three high.
- Microprocessor-controlled bake time/conveyor speed
- Stainless steel front, sides, top and interior
- Reversible conveyor direction
- 12" (304.8mm) Extension Tray

Optional Features

- 6" (152.4mm) Extension Tray
- Stand with casters
- Extended warranty available

Conserves Energy

Unit incorporates a patented Energy Management System - EMS. Middleby ovens provide very efficient heat transfer to product. Energy is conserved as air is recycled from heater to product, with minimum loss. Oven is cool to the touch.

Cleanability

PS520 Ovens are designed for easy cleaning. Removable parts include: crumb pans, end panels, air fingers, exit tray, and a removable conveyor belt assembly.

Easily Services

Control compartment is designed for quick and easy access.

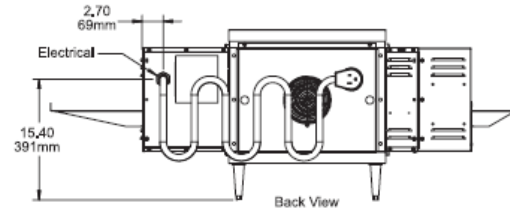
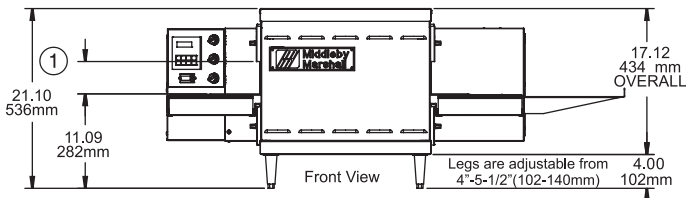
Warranty

All PS520 models have a one year parts and labor warranty.

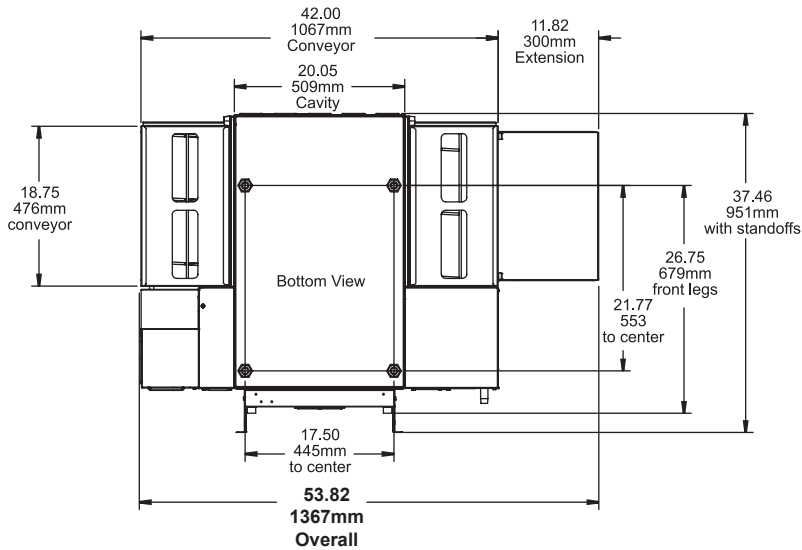
Ventilation

Use of a ventilation hood is strongly recommended.



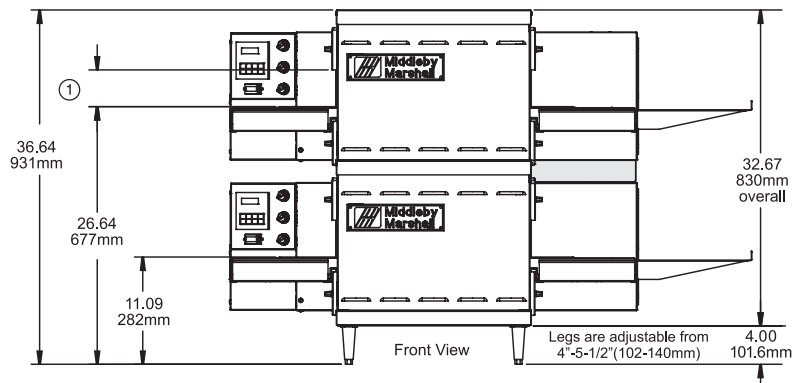


① The Opening Height is Adjustable from 2-1/4 inch minimum to 3-3/4 inch maximum in 1/2 inch increments.

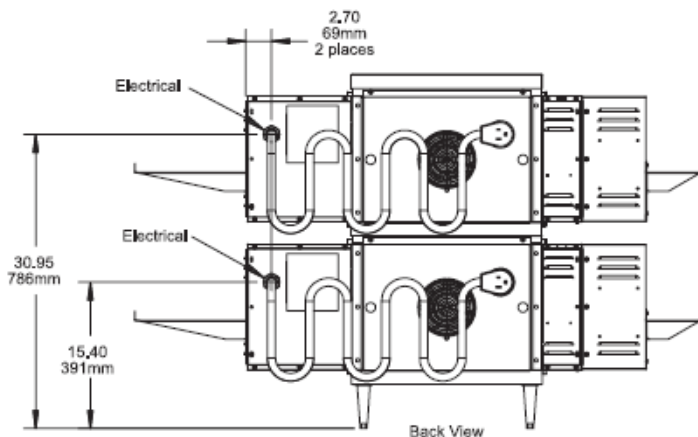


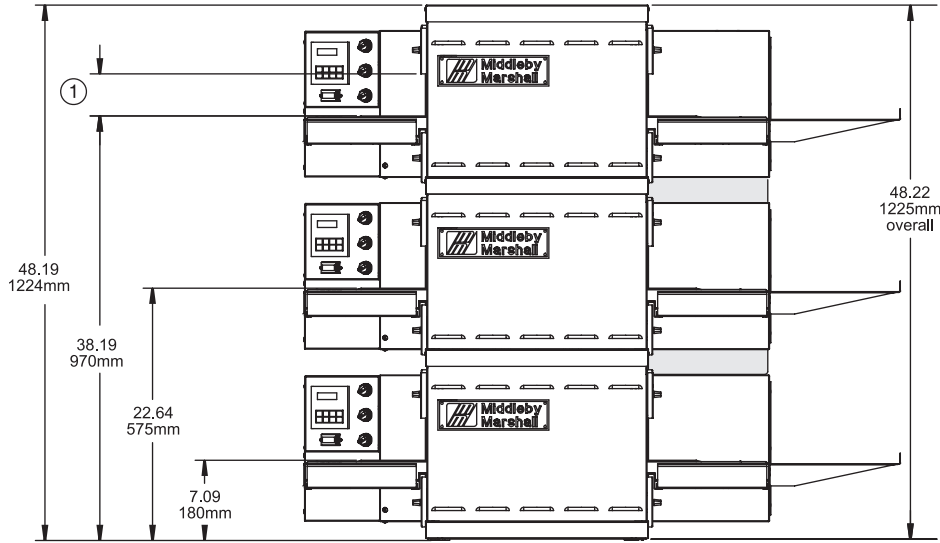
PS520-1

① The Opening Height is Adjustable from 2-1/4 inch minimum to 3-3/4 inch maximum in 1/2 inch increments.



PS520-2

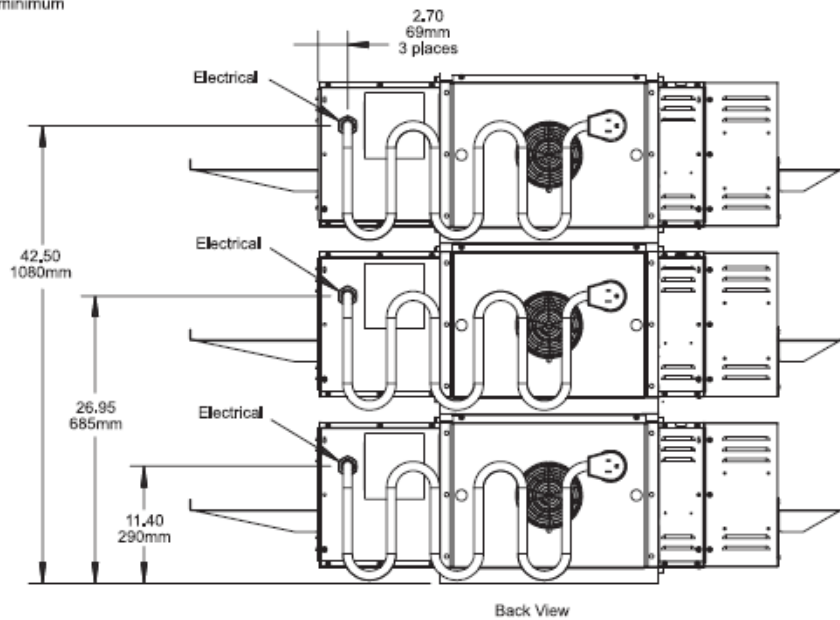




Front View

① The Opening Height is Adjustable from 2-1/4 inch minimum to 3-3/4 inch maximum in 1/2 inch increments.

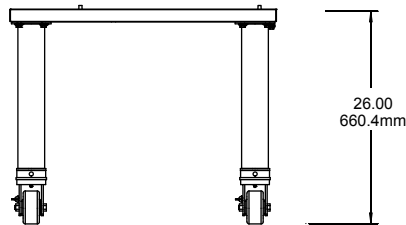
PS520-3



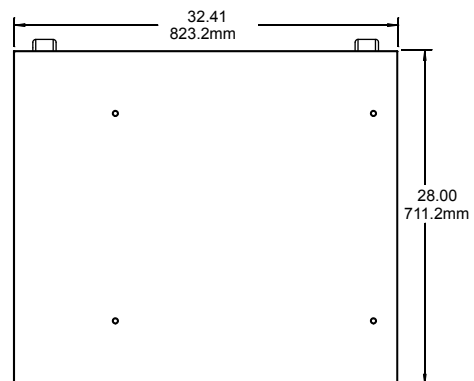
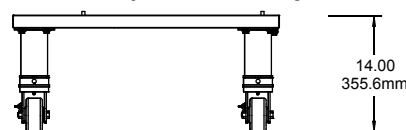
Back View

Optional stand available for all PS520 Series Models

Stand for *Single and Double Oven Only*



Stand for *Triple Oven Only*



RECOMMENDED MINIMUM CLEARANCES

Rear of Oven to Wall	Control end of conveyor to wall	Non-control end of conveyor to wall
0"	0"	0"

GENERAL SPECIFICATIONS

	Heating Zone	Baking Area	Belt Length	Belt Width	Overall Length (12" exit tray installed)	Height without 4" legs	Depth	Maximun Operating Temp	Bake Time Range	Ship Wt	Ship Cube
PS520-1	20" 508mm	2.5 sq ft 0.23 sq m	42" 1066 mm	18" 457mm	53.82" 1367mm	17.12" 434mm	37.46" 951mm	550°F 288°C	1-10 min	325 lbs 147.42kg	22.1 ft3 0.62m3
PS520-2	40" 1016mm	5.0 sq ft 0.46 sq m	42" 1066 mm	18" 457mm	53.82" 1367mm	32.67" 830mm	37.46" 951mm	550°F 288°C	1-10 min	650 lbs 294.48 kg	44.2 ft3 1.24m3
PS520-3	60" 1524mm	7.5 sq ft 0.69 sq m	42" 1066 mm	18" 457mm	53.82" 1367mm	48.19" 1224mm	37.46" 951mm	550°F 288°C	1-10 min	975 lbs 442.25 kg	66.3 1.86m3

ELECTRICAL SPECIFICATIONS

Version	Voltage	Phase	Freq	K.W.	AMPS	Supply	Breakers
DOMESTIC	208v	1	50/60 hz	8.3	39.9	2 pole, 3 wire 2 Hot 1 GRD	As per local codes
	230-240v	1	50/60 hz	7.6-8.3	33-34.6	2 pole, 3 wire 2 Hot 1 GRD	As per local codes
	380v	1	50/60 hz	8.3	21.8	3 pole, 4 wire 2 Hot 1 Neu 1 GRD	As per local codes
	480v	1	50/60 hz	8.3	17.3	2 pole, 3 wire 2 Hot 1 GRD	As per local codes Requires transformer kit
CE MODEL	230-240v	1	50/60 hz	7.6-8.3	33-34.6	2 pole, 3 wire 2 Hot 1 GRD	As per local codes
	380	3	50/60 hz	8.3	L1-21.8 L2-21.8 L3-1,2 N-1,2	4 pole, 5 wire 3 Hot 1 Neu 1 GRD	As per local codes

* The current draw rating shown above are maximum values for normal operation, amperage draw will be less than the listed value.

Each oven includes a 6 ft cord with NEMA# 15-50P plug. Customer to provide NEMA# 15-50R receptical.